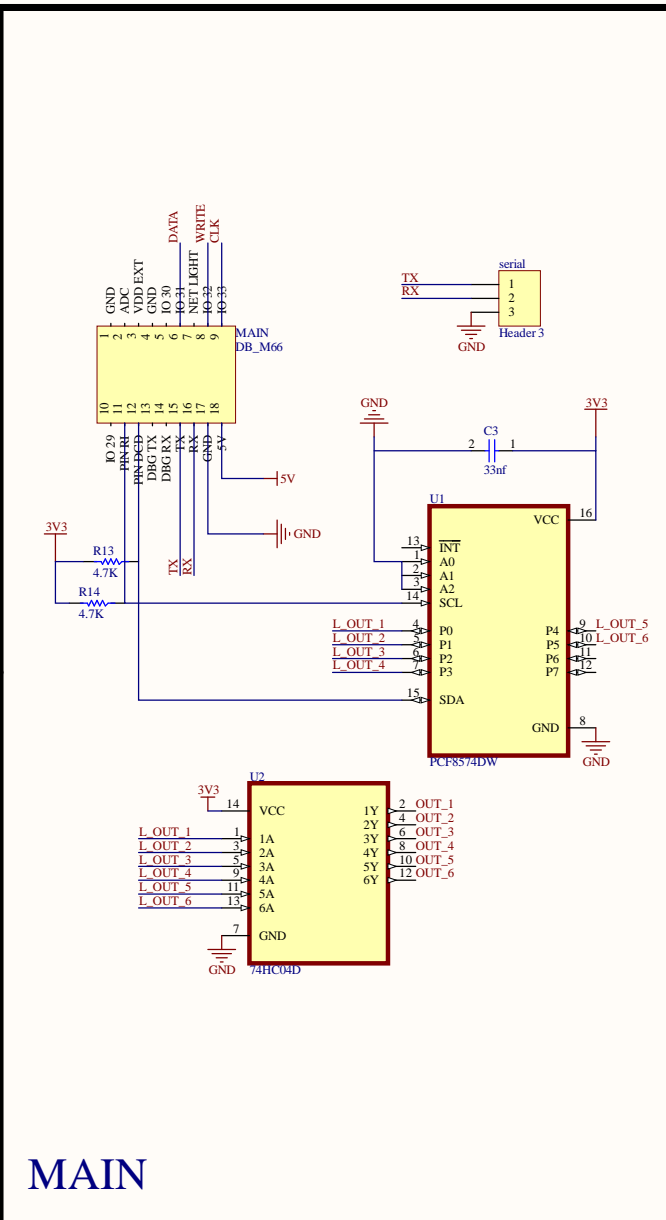
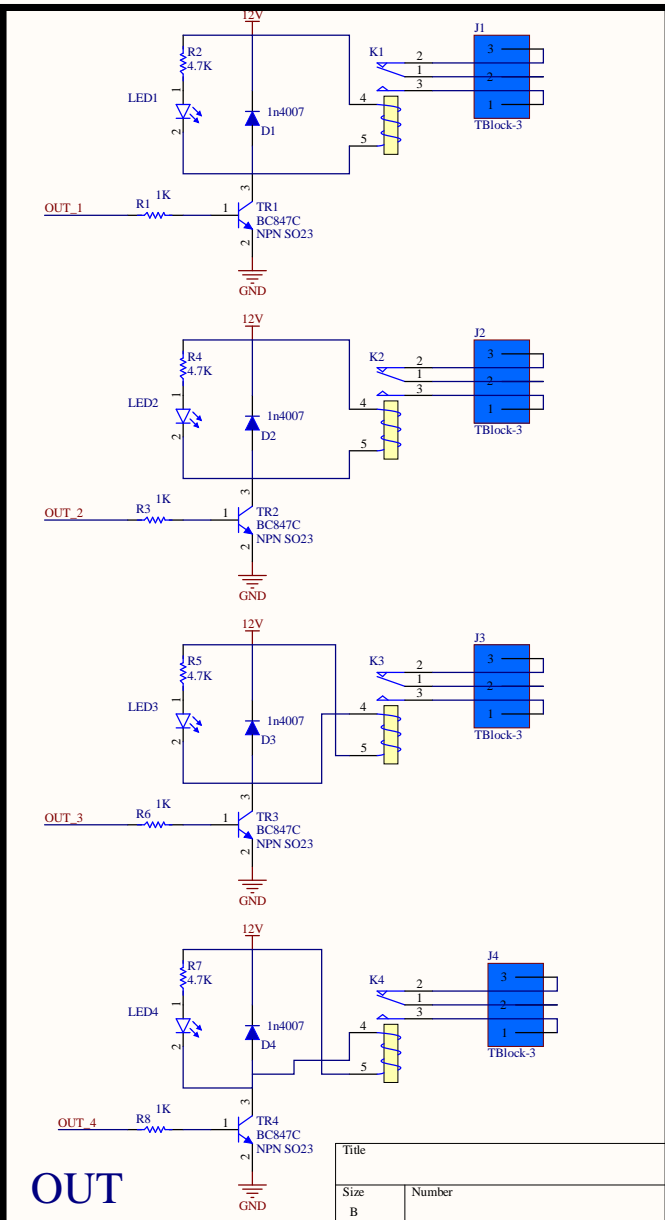


POWER



MAIN



OUT

Title		Revision
Size B	Number	
Date: 2/03/2023	Sheet of	
File: D:\mahdi\relay_mf66.SchDoc	Drawn By:	

Comment	Description	Designator	Footprint	LibRef	Quantity
33nf		C1, C3	SMD 0805	CAP NON	2
100nf		C2	SMD 0805	CAP NON	1
1n4007	Standard Rectifiers	D1, D2, D3, D4	DIOM4629X24N	1n4007 SMD M7	4
TBlock-3		J1, J2, J3, J4, J5	KF300-3 PIN	TBlock-3	5
	Single-Pole Dual-Throw Relay	K1, K2, K3, K4	Relay 18.85x15.35x15.70	Relay_SPDT	4
LED 2PIN		LED1, LED2, LED3, LED4	LED 0805	LED 2PIN	4
DB_M66		MAIN	DB_M66	DB_M66	1
Power jack		POW IN	Power Jack	Power jack	1
1K		R1, R3, R6, R8	0805_1/8W	RESISTOR	4
4.7K		R2, R4, R5, R7, R13, R14	0805_1/8W	RESISTOR	6
Header 3	Header, 3-Pin	serial	HDR1X3	Header 3	1
Screw	Board Screw With Spacer	SRW1, SRW2, SRW3, SRW4	Board Screw	Board Screw 3MM	4
BC847C		TR1, TR2, TR3, TR4	SOT23_BEC_M	NPN SMD	4
L7805ACD2T	Linear Voltage Regulator IC 1 Output 1.5A D2PAK	U0	VREG_L7805ACD2T	L7805ACD2T	1
PCF8574DW	Remote 8-Bit I/O Expander for I2C-Bus 16-SOIC -40 to 85	U1	SOIC127P1030X265- 16N	PCF8574DW	1
74HC04D	Inverter IC 6 Channel 14-SOIC	U2	SOIC127P600X175- 14N	74HC04D	1
AMS1117-3.3	Sot223/Pkg 1-Amp 3.3-Volt Low Drop Out Voltage Regulator	U3	SOT229P700X180-4N	AMS1117-3.3	1